

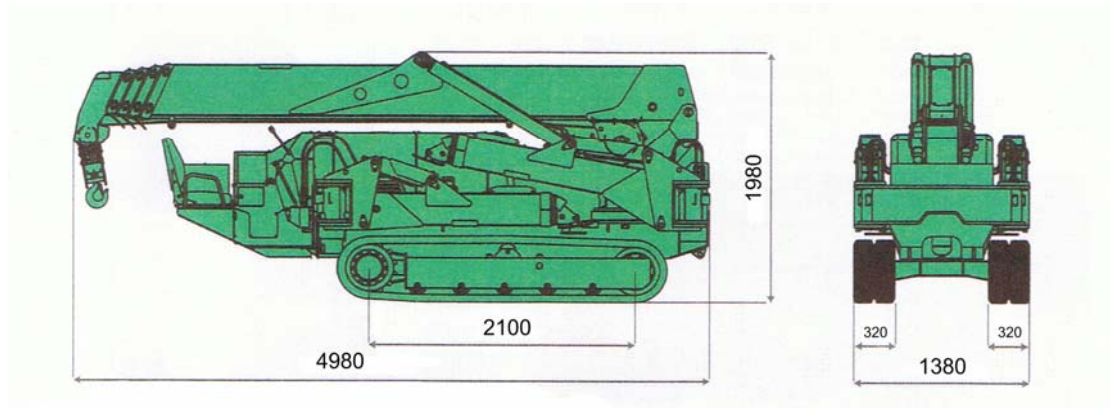
# AKS-INTERNATIONAL (CRANES) LTD

Tel. 01373 813375

Fax: 01373 813576

e-mail [info@aks-cranes.com](mailto:info@aks-cranes.com)

## MAEDA MC 405



### DIMENSIONS

WEIGHT 5600kg

WIDTH 1380mm

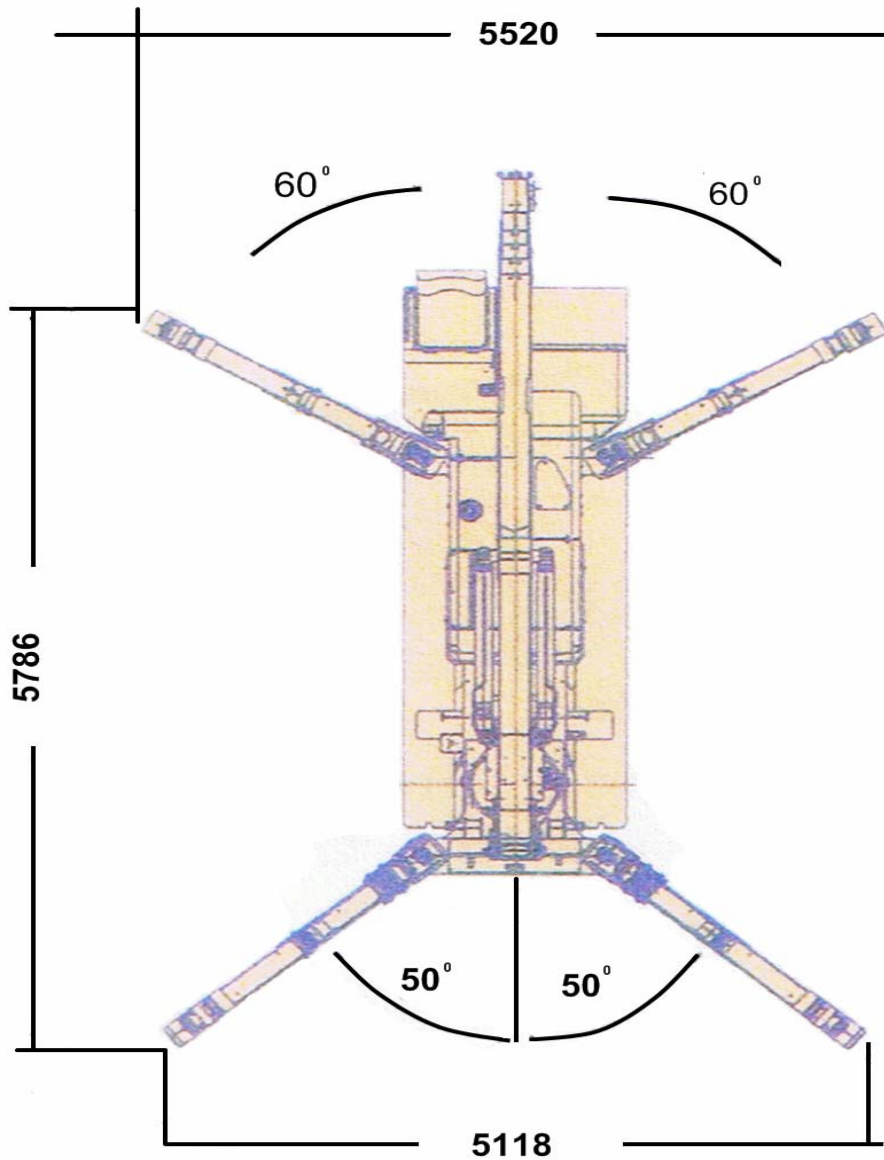
LENGTH 980mm

HEIGHT 1980mm

WITH ALL OF OUR CRANE HIRES WE CAN SUPPLY RIGGER POINT LOAD CALCULATIONS AND PAD SIZES TO REDUCE PRESSURE TO AN ACCEPTABLE LEVEL

## MAEDA MC 405

### OUTRIGGER SPREAD DIMENSIONS



# AKS-INTERNATIONAL (CRANES) LTD

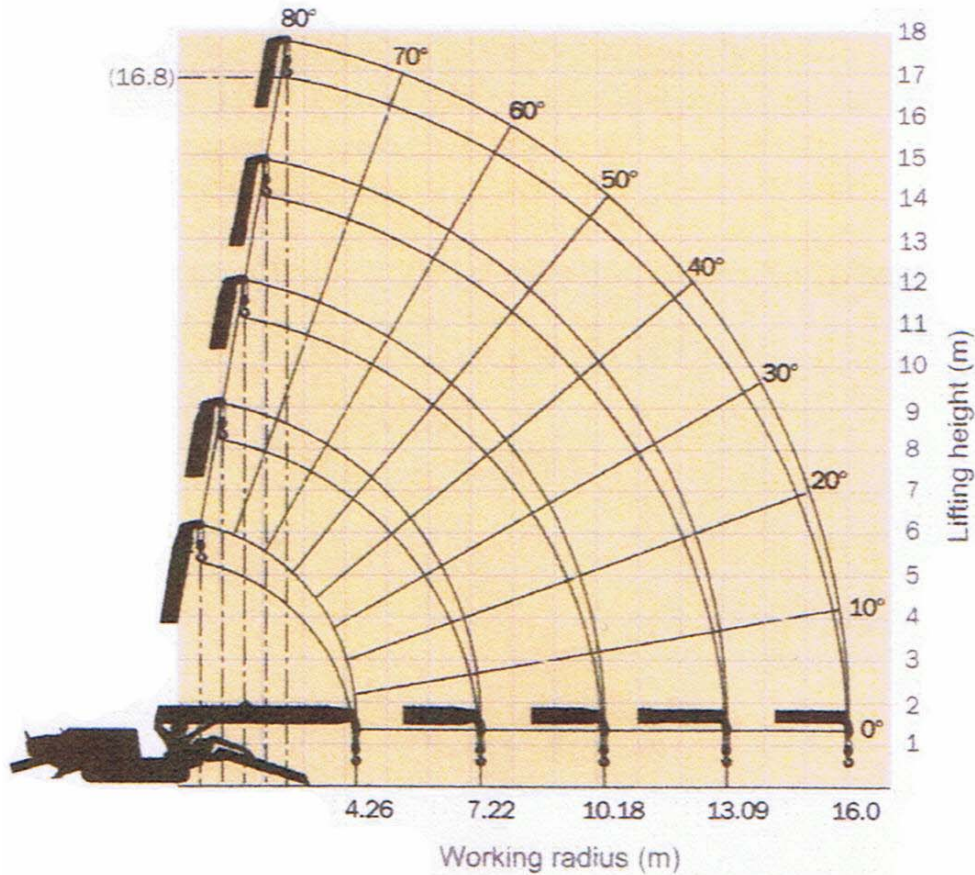
Tel. 01373 813375

Fax: 01373 813576

e-mail [info@aks-cranes.com](mailto:info@aks-cranes.com)

## MAEDA MC 405

### WORKING RANGE CHART



The Working Range Chart does not take into account boom deflection under load.

The maximum reach below ground level is:

Four Fall	Two Fall	Single Fall
20.50m	41.00m	82.00m

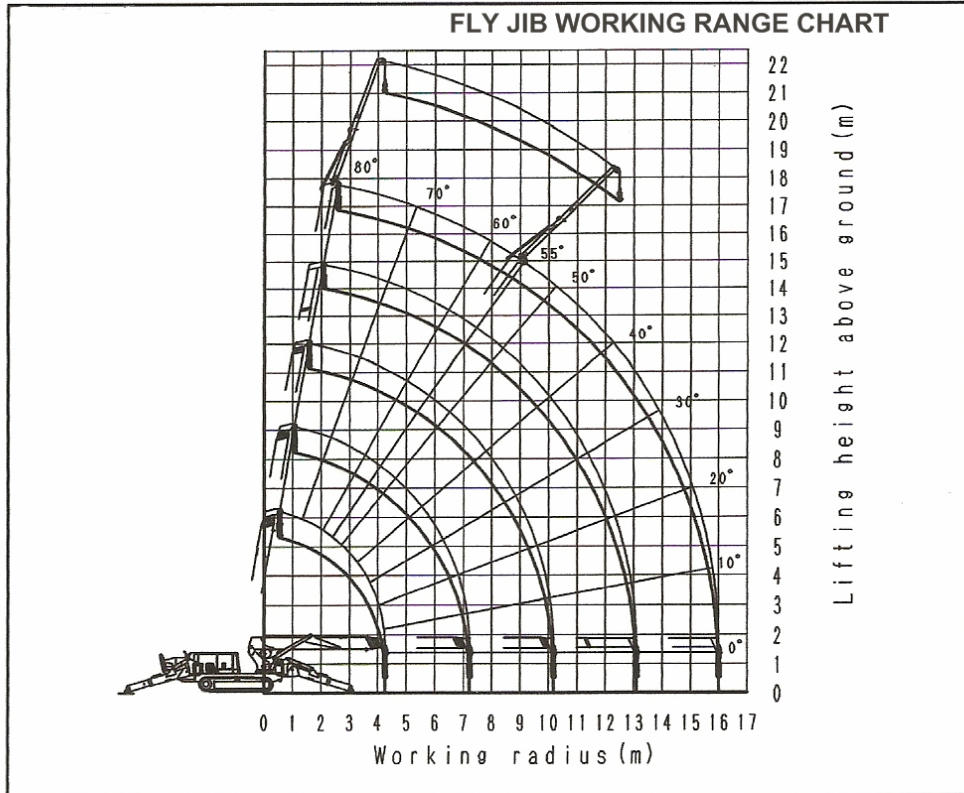
# AKS-INTERNATIONAL (CRANES) LTD

Tel. 01373 813375

Fax: 01373 813576

e-mail info@aks-cranes .com

## MAEDA MC 405

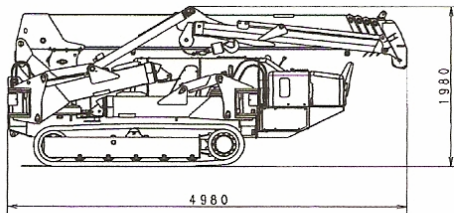


☆The Working Range Chart does not take into account boom deflection under load.

### Specification

Model	MC405CRM(E) Fly jib
Capacity	520 kg x 72 deg (single fall)
Max.Lifting height	20.7 m
Max.Woking radius	12.5 m ( at 55 deg)
Fly jib length	4.5 m
Winch speed	72 m/min
Fly Jib Spec	Stowed beside boom
	Can be used by 2 sections only

### Dimension



### Total Rated Load Chart

Boom angle (deg)	Total rated load (kg)
76	520
72	520
69	420
66	320
63	250
60	220
55	170

☆Including 20 kg hook block weight