

AKS (Cranes) Ltd

www.aks-cranes.com

Maeda Mini Crawler Crane Model 285

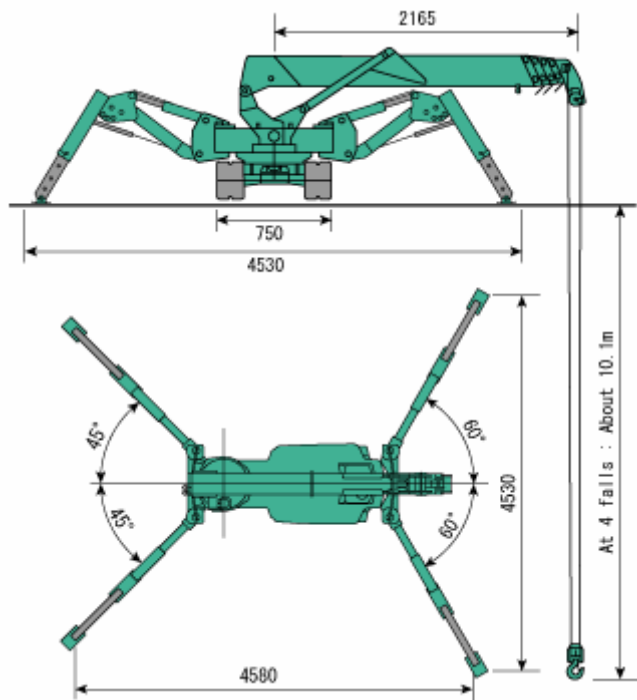
Overall length x overall width x overall height	2715 mm × 750 mm × 1440 mm	
Machine weight	1720 kg	
Crane capacity	2820 kg × 1.4 m	
Max. working radius	8.205 m	
Max. lifting Height	Approx 8.7 m	
Hook speed	8.0 m / min (with 3 layers & 4 falls)	
Boom length	4.075 m – 8.585 m	
Telescoping Speed	6.04 m / 22 sec	
Boomtype	5-section hydraulically telescoping boom of pentagonal box construction	
Luffing angle / Time	0 - 80°/14 sec	
Slewing angle / Speed	360°(continuous) / 35.5 sec	
Outrigger	Box type × 4 pcs	
Traction system	Hydrostatic type, Stepless forward and reverse	
Travel speed	0 - 2.2 km / h	
Gradability	20°	
Crawler ground length	975 mm	
Ground pressure	43.2 Kpa (0.44 kg / cm ²)	
Crawler width	200 mm	
Engine	Model	Yanmar 2TNE68-MB
	Starting method	Electric Start
	Fuel	Diesel
Mains Electric Option	(standard)	
Standard Equipment	Safe Load Indicator Moment Limiter Cable Type Remote Controller Work Lights	

AKS (Cranes) Ltd

Maeda Mini Crawler Crane Model 285

Total Rated Loads With Outriggers at Maximum (inc 20kg Hook Assy.)

Boom at 4.075m		Boom at 5.575m		Boom at 7.075m		Boom at 8.575m	
Working Radius (m)	Total Load (kg)	Working Radius (m)	Total Load (kg)	Working Radius (m)	Total Load (kg)	Working Radius (m)	Total Load (kg)
< 1.4	2870	< 3.0	1220	< 3.6	820	< 4.0	550
1.5	2520	3.5	970	4.0	740	4.5	400
2.0	1920	4.0	780	4.5	580	5.0	340
2.5	1570	4.5	630	5.0	480	5.5	300
3.0	1220	5.0	530	5.5	430	6.0	270
3.5	970	5.205	530	6.0	380	6.5	230
3.705	920			6.5	350	7.0	200
				6.705	330	7.5	180
						8.0	150
						8.205	150



AKS (Cranes) Ltd

Maeda Mini Crawler Crane Model 285

Total Rated Loads With Outriggers at Intermediate inc 20kg Hook assy.)

Boom at 4.075m		Boom at 5.575m		Boom at 7.075m		Boom at 8.575m	
Working Radius (m)	Total Load (kg)	Working Radius (m)	Total Load (kg)	Working Radius (m)	Total Load (kg)	Working Radius (m)	Total Load (kg)
< 1.4	1720	< 3.0	510	< 3.6	400	< 4.0	330
1.5	1720	3.5	410	4.0	330	4.5	280
2.0	1070	4.0	330	4.5	280	5.0	230
2.5	630	4.5	280	5.0	230	5.5	180
3.0	520	5.0	230	5.5	180	6.0	160
3.5	430	5.205	200	6.0	160	6.5	150
3.705	350			6.5	150	7.0	100
				6.705	140	7.5	80
						8.0	70
						8.205	60

